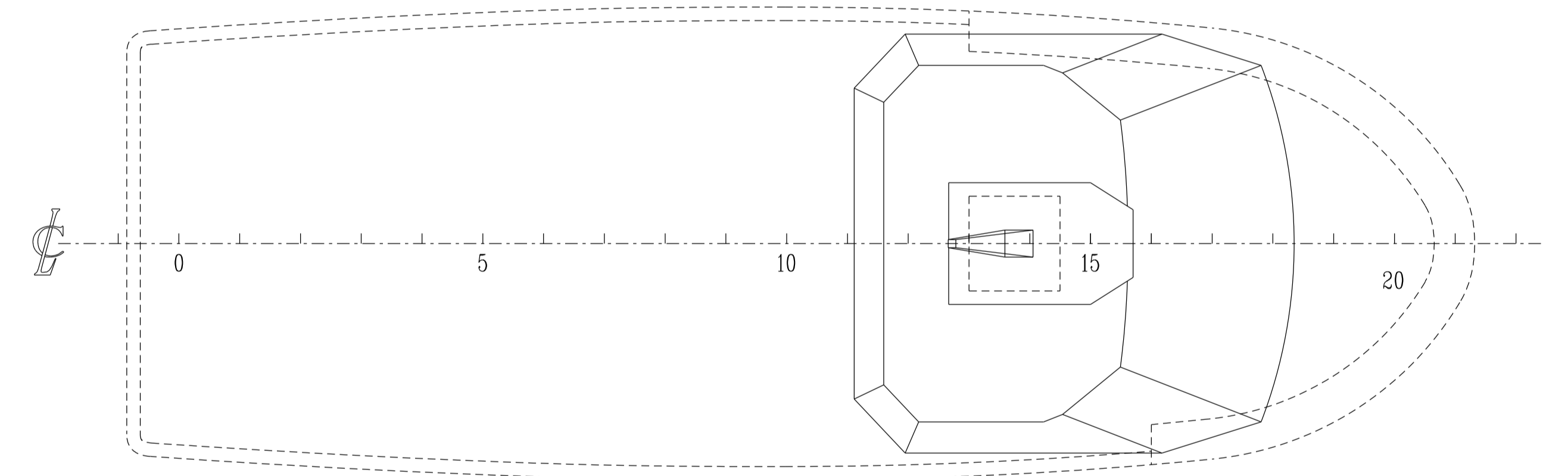
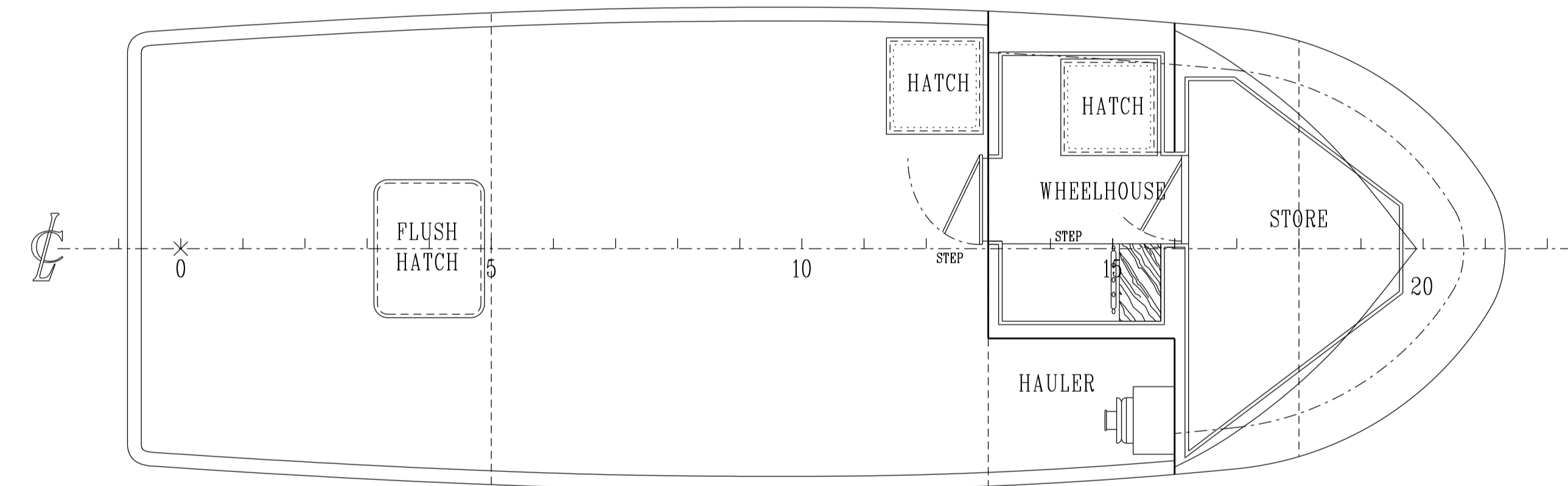
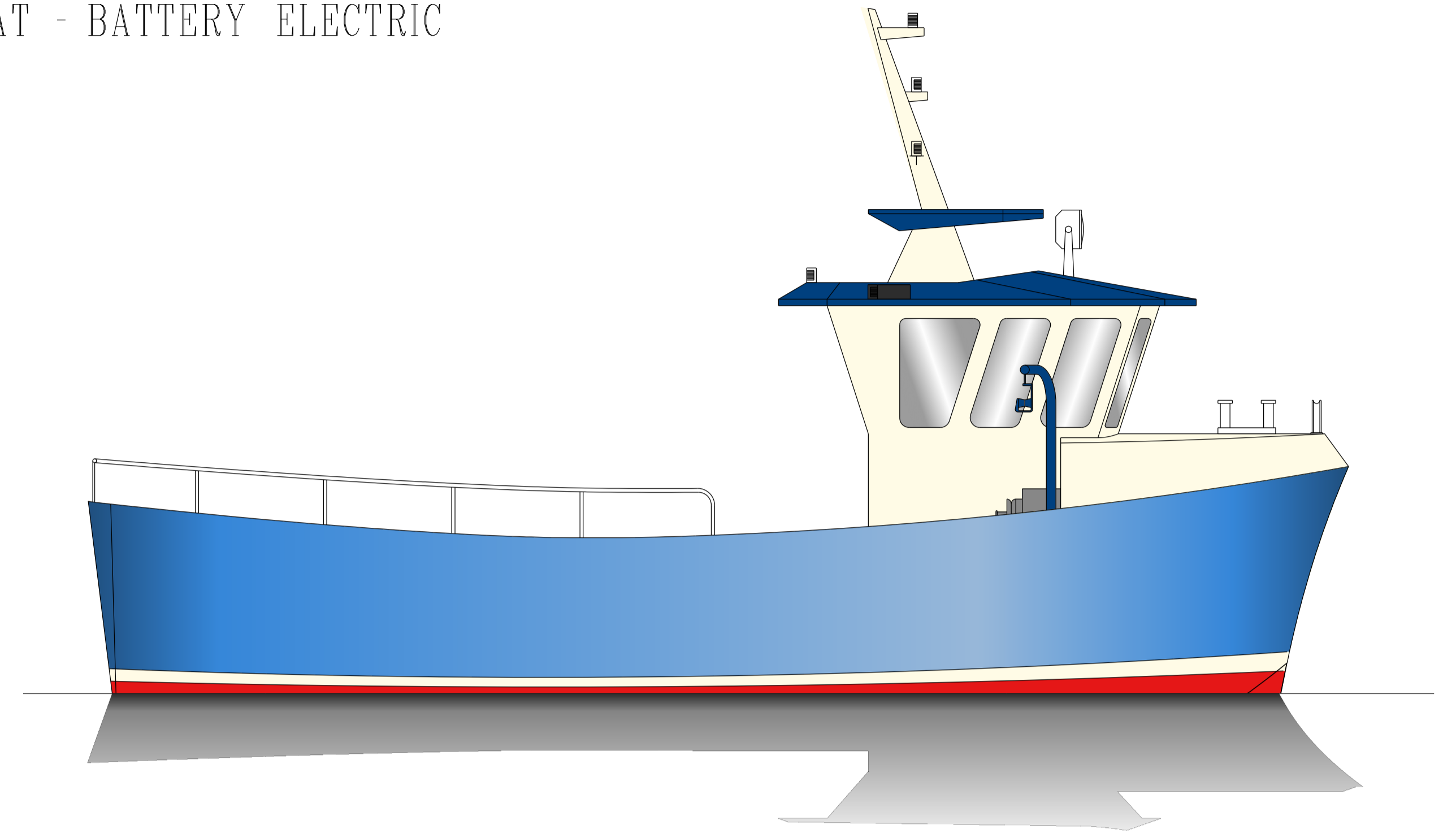
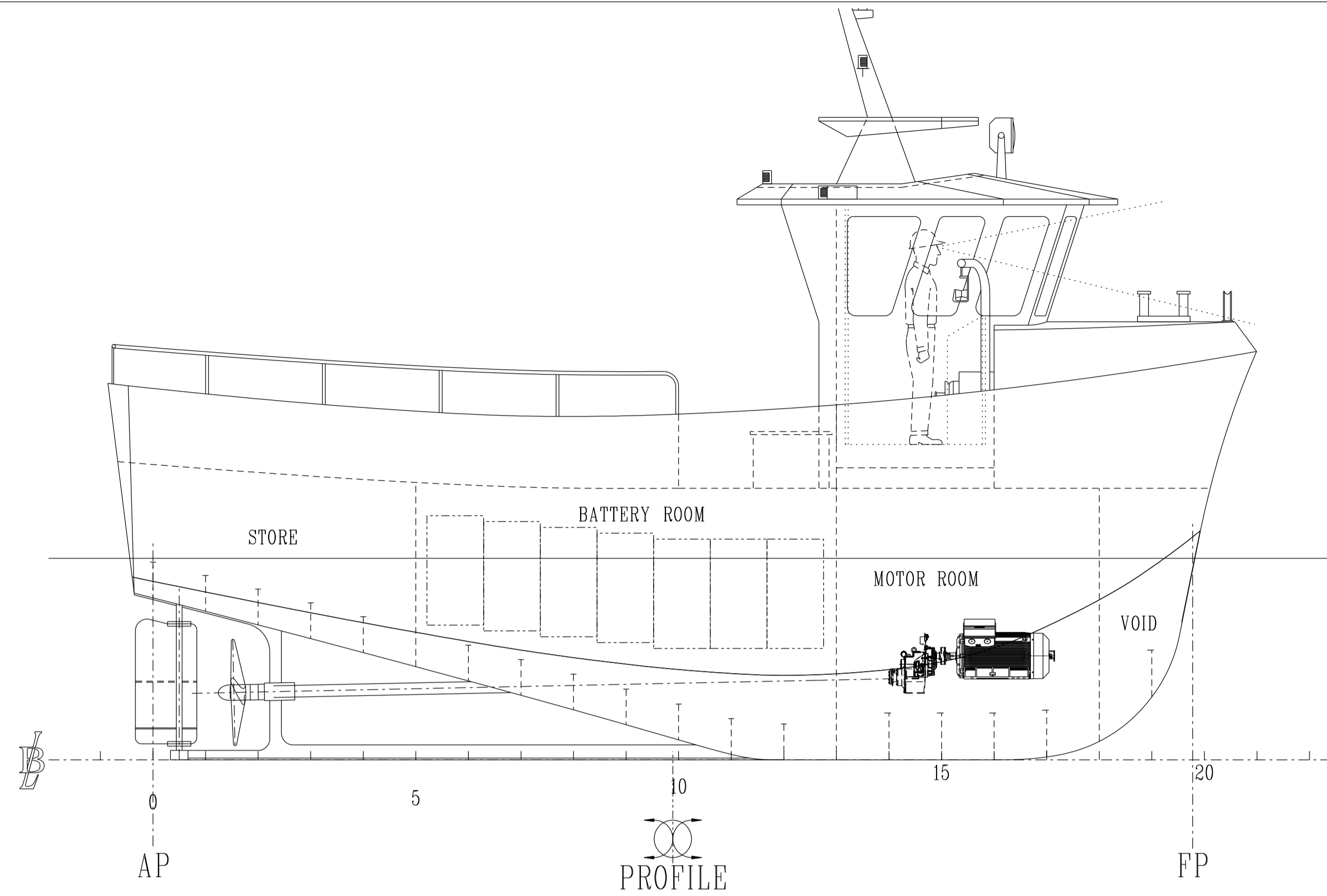
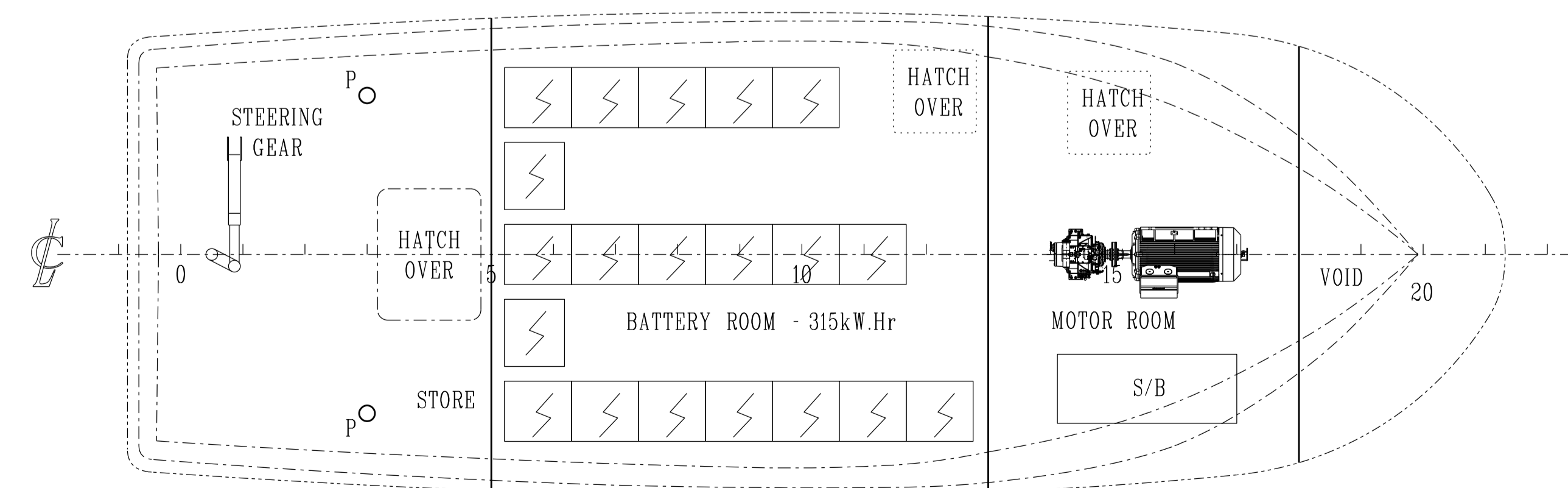


FIS CONCEPT DESIGN PROJECT  
 CREEL BOAT - BATTERY ELECTRIC



MAIN DECK

WH TOP



BELOW DECKS

PRINCIPAL DIMENSIONS

LENGTH OVERALL	9.950 m
LENGTH B.P.	8.900 m
BREADTH MLD.	3.500 m
DEPTH MLD.	2.325 m

REV.	MODIFICATION	BY	DATE	CHKD.	DATE
APPROVED BY:-					
DATE:-					
TITLE:- FIS CONCEPT DESIGN - CREEL BOAT ELECTRIC GENERAL ARRANGEMENT		REF:-			
DRAWN BY:- MYLES		CHECKED BY:- DB		DRAWING NO :- 001	
DATE:- 24-03-23		DATE:- 27-03-23		REVISION :-	
				SCALE:- 1:33 @ A1	

THIS DRAWING AND THE INFORMATION IT CONTAINS ARE THE PROPERTY OF MACDUFF SHIP DESIGN LTD. IT IS NOT TO BE TRACED COPIED OR PUBLISHED WITHOUT OUR WRITTEN CONSENT OR MISUSED IN ANY WAY

**MACDUFF SHIP DESIGN Ltd. LOW SHORE MACDUFF**  
 ABERDEENSHIRE SCOTLAND AB44 1RE  
 TEL 01261 833825 FAX 01261 833835  
 EMAIL info@macduffshipdesign.com

